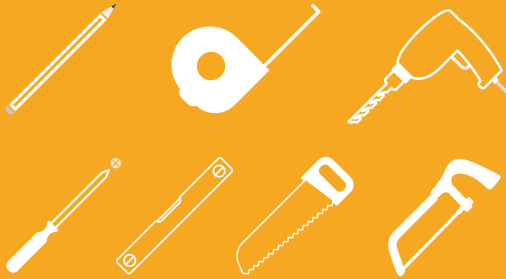




how to fit shelf & hanger bar

Assembly Instructions

Tools required:



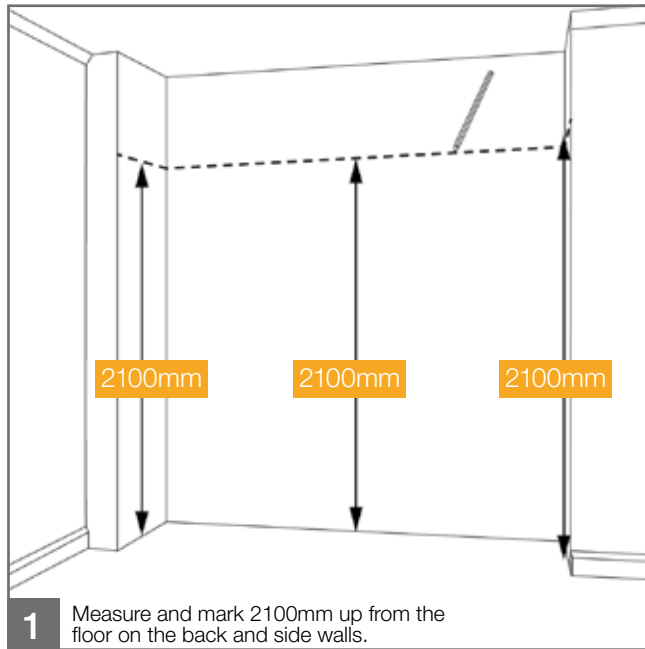
! Please check your opening for any hidden electrical wires and water pipes before / screwing.



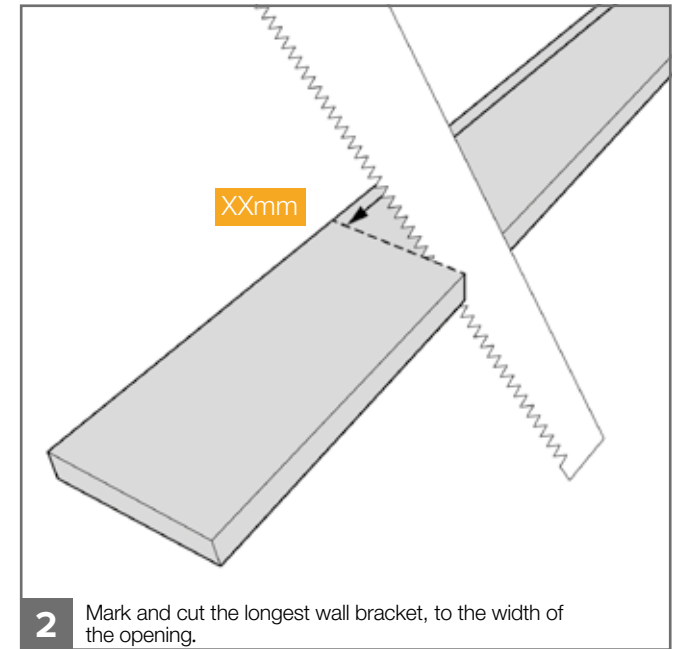
⊘ Screws not supplied. Use suitable screws and plugs.

space·pro[®]
THE LOOK YOU LOVE

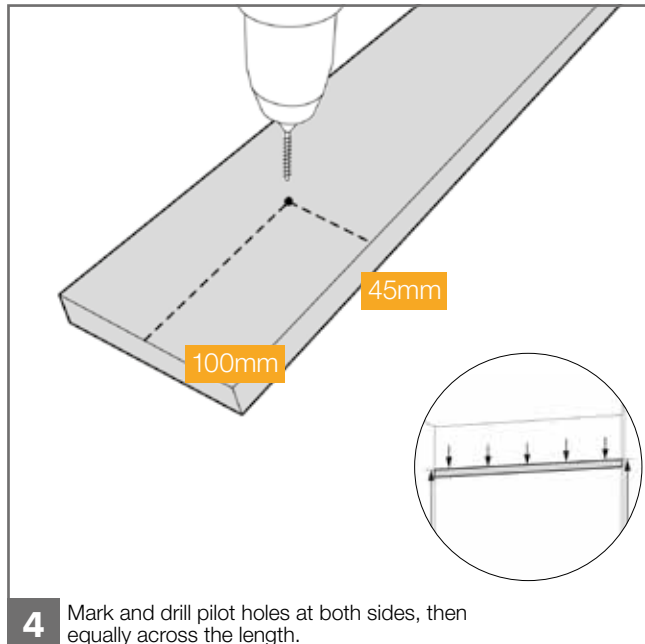
V1



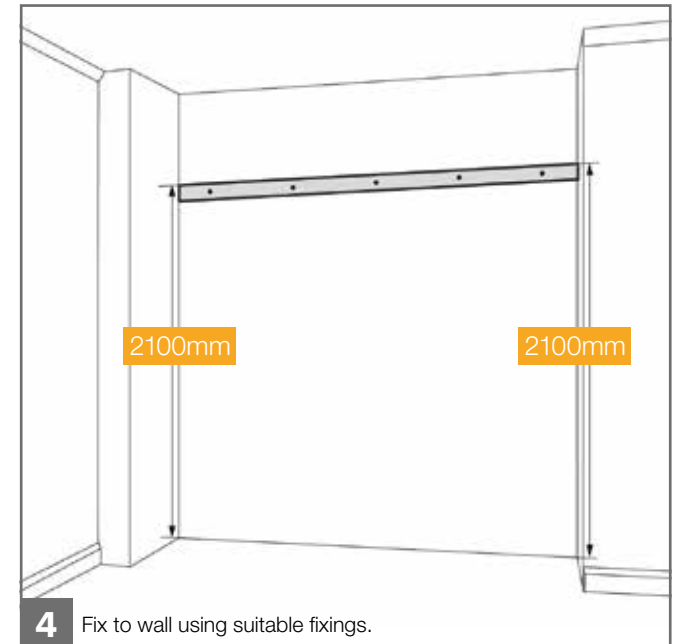
1 Measure and mark 2100mm up from the floor on the back and side walls.



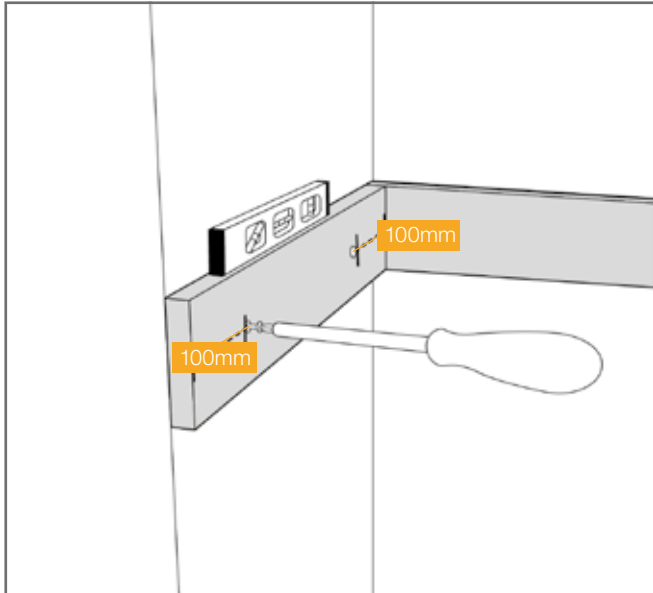
2 Mark and cut the longest wall bracket, to the width of the opening.



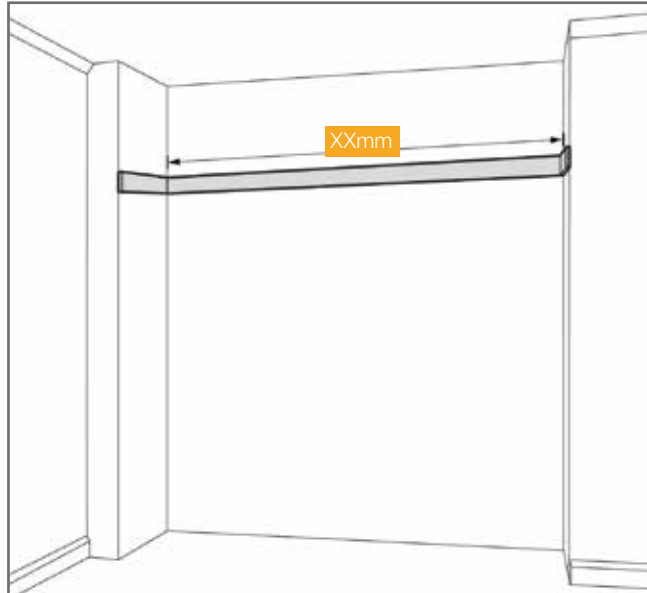
4 Mark and drill pilot holes at both sides, then equally across the length.



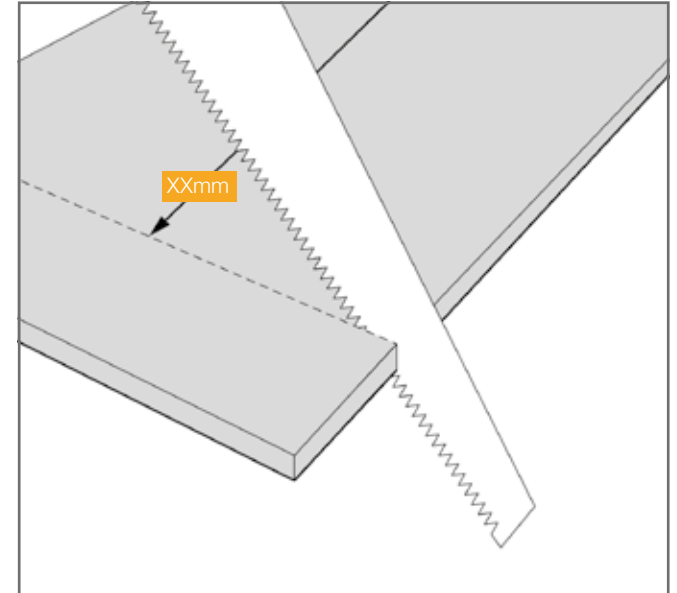
4 Fix to wall using suitable fixings.



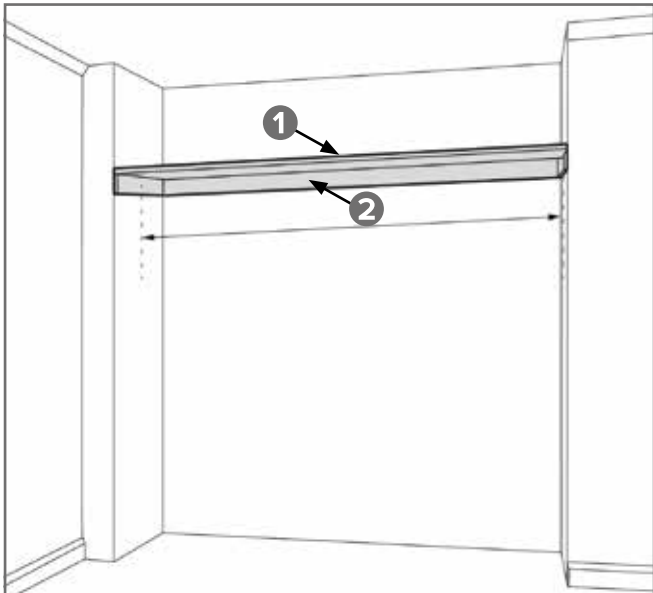
4 Level up the wall bracket and fix with x2 screws as shown. Repeat on both sides.



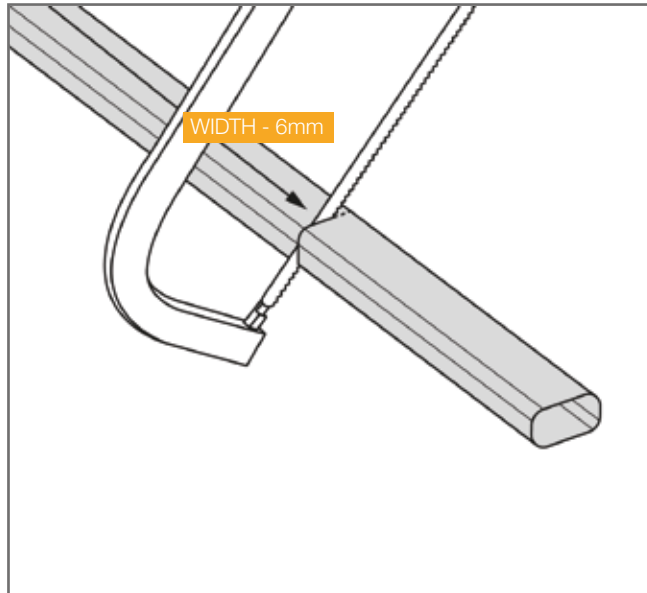
5 Re-measure the opening width for your shelf.



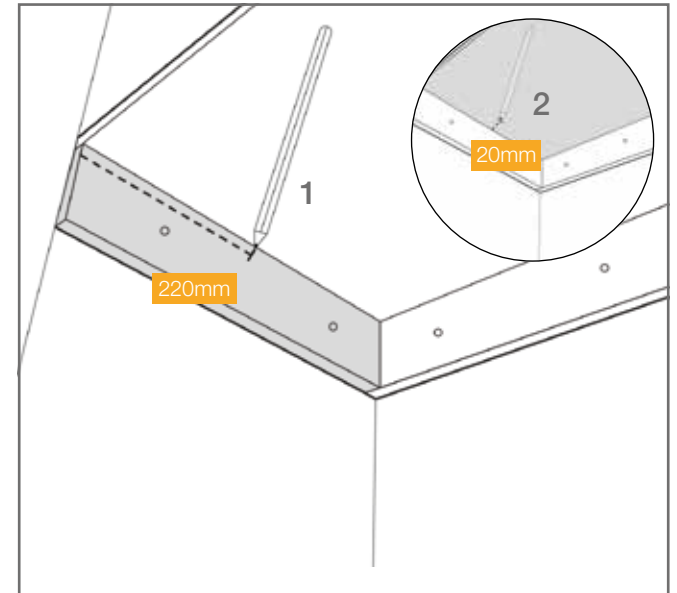
6 Mark and cut the shelf panel using your opening width measurement.



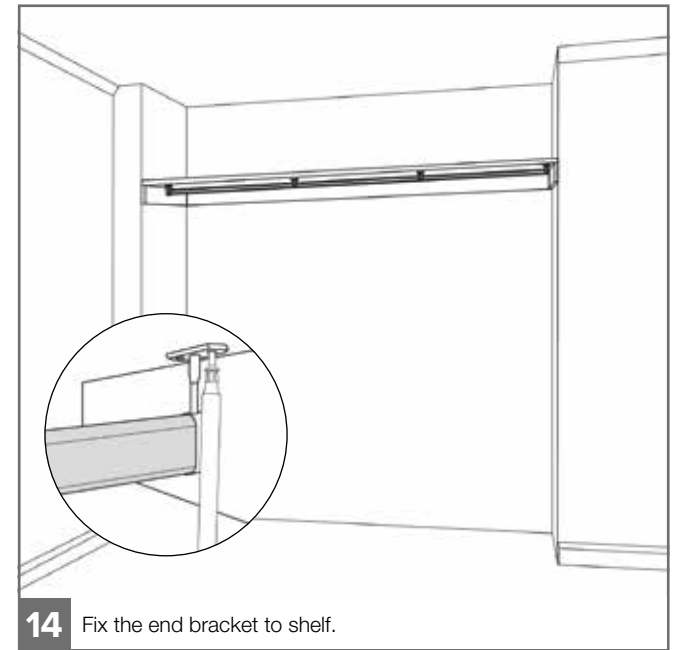
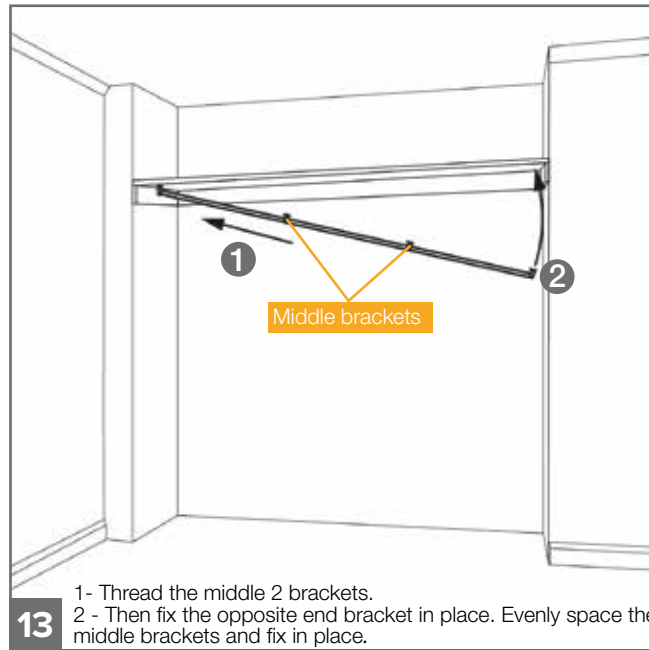
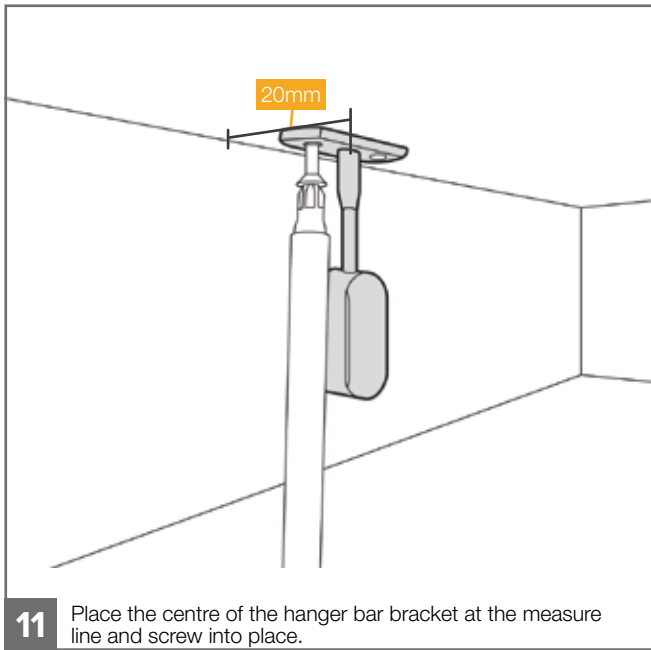
7 1 – Slide the shelf on top of the wall brackets. 2 – Measure the internal space from wall bracket to wall bracket.



8 Measure and cut. i.e: 1200 - 6mm = 1194mm



9 Measure to the centre of your shelf (220mm) on both sides. Then measure in by 20mm.



If your opening space is wider than 1.2m then we recommend fitting the vertical support as well.

