



how to fit the soft close to an aluminium door

Assembly Instructions

Fixings included:



Tools required:



In this range: Contour, Domalti, Minimalist (2018), Switch & Titan.

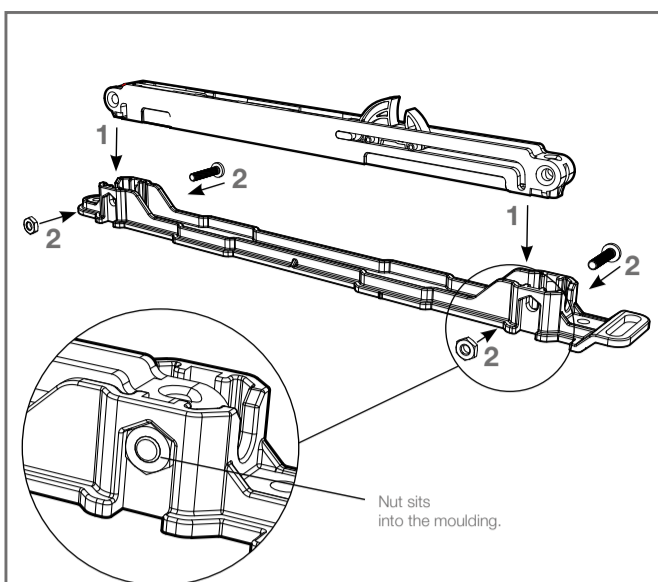
! Please check your opening for any hidden electrical wires and water pipes before screwing.



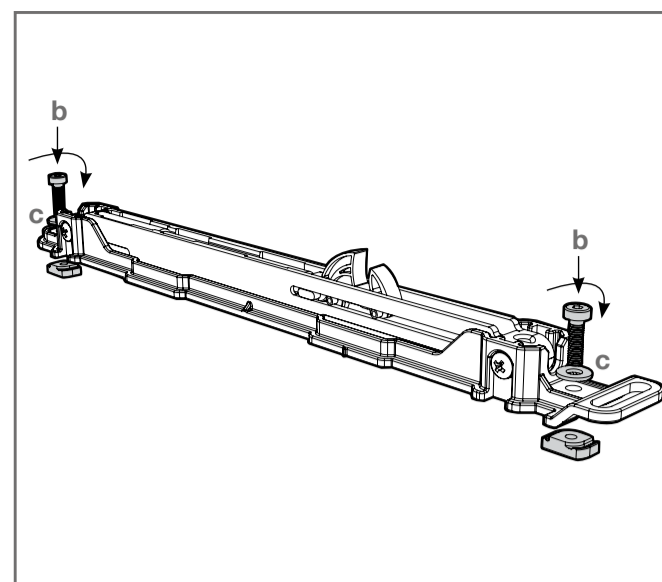
Watch the 'how to' video instructions online.
www.spacepro.co.uk/instructions-2/

space·pro[®]
 THE LOOK YOU LOVE

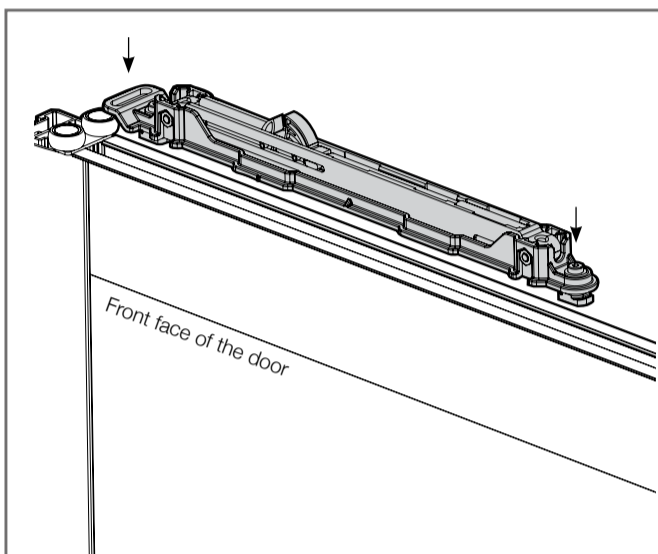
V2



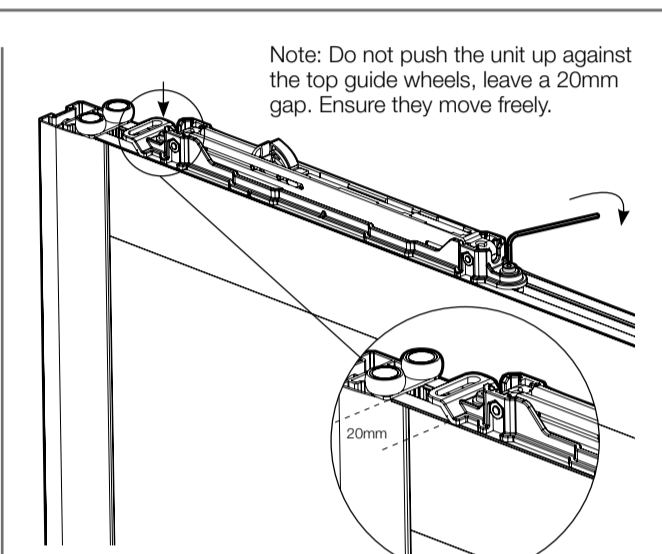
1. Fit both parts of the soft close together **as shown above**.
2. Insert and tighten the nuts and bolts on both sides.



2. Insert the 2x M4 screws (b) using the washers (c) provided. Screw on the cams but don't tighten all the way yet.



3. Align and centralise the soft close in the centre of the top rail and slot the cams into the gap in the top rail. Using an Allen key, tighten both the cams so they lock into place. (Ensure the soft close doesn't slide, but don't over tighten).



how to fit the soft close to a steel door

Assembly Instructions

Fixings included:



Tools required:



In this range: Classic, Ellipse, Heritage, Minimalist (pre 2018) & Shaker.

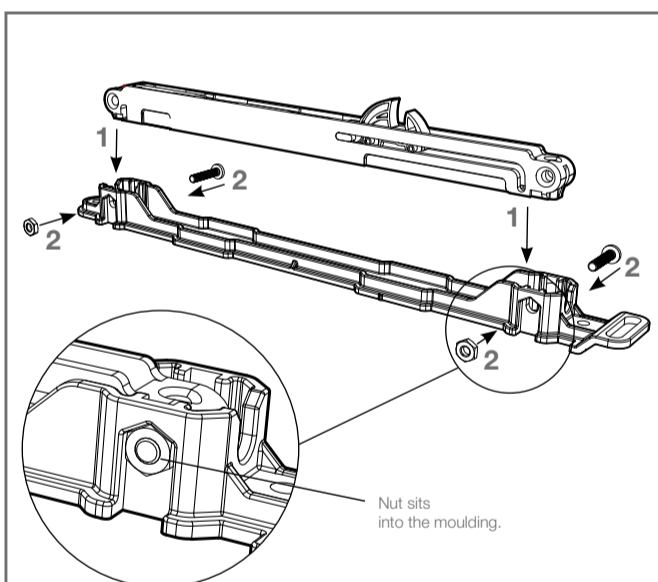
! Please check your opening for any hidden electrical wires and water pipes before screwing.



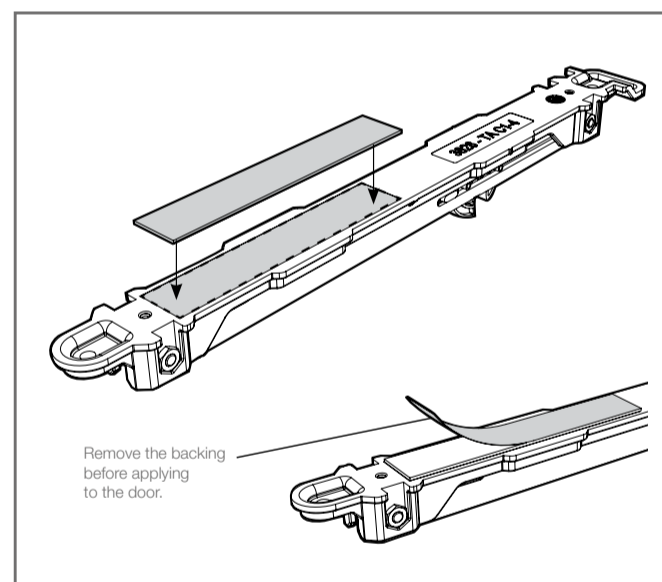
Watch the 'how to' video instructions online.
www.spacepro.co.uk/instructions-2/

space·pro[®]
 THE LOOK YOU LOVE

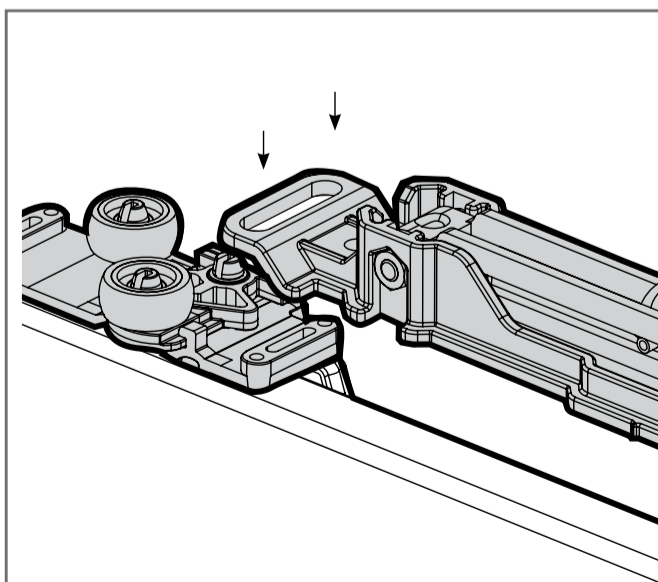
V2



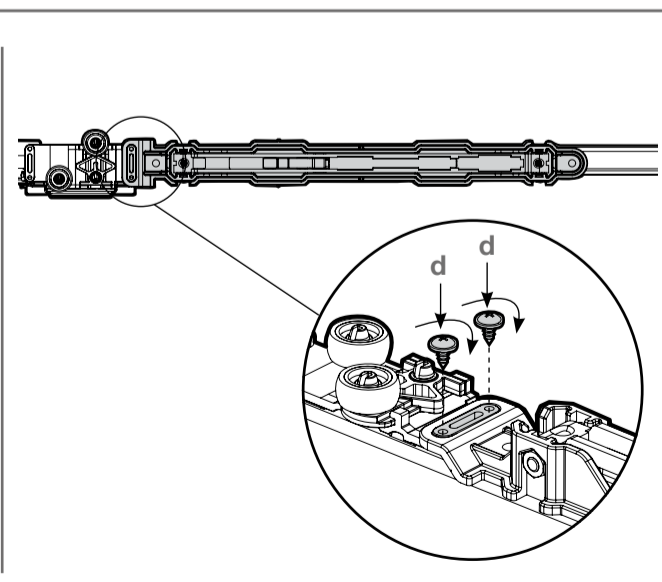
1. Fit both parts of the soft close together **as shown above**.
2. Insert and tighten the nuts and bolts on both sides.



2. Remove the backing from one side of the double sided tape, sticking this to the bottom of the soft close (as shown).

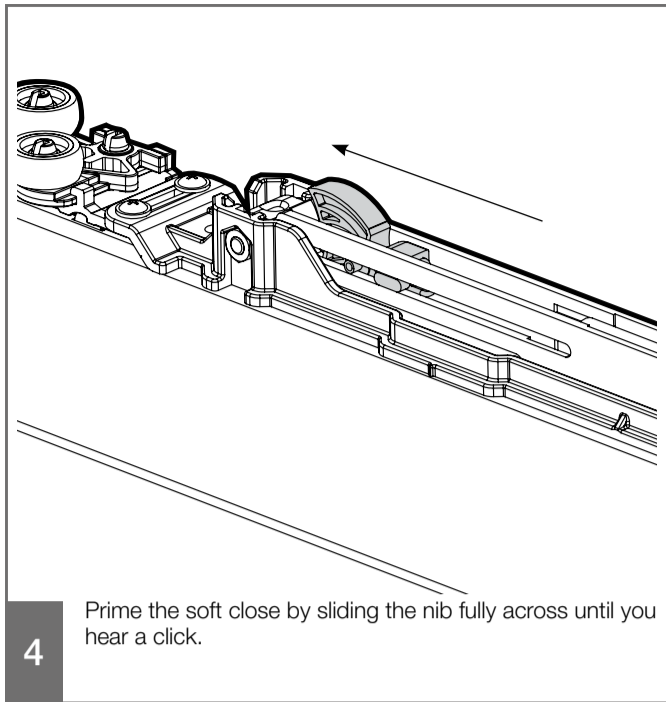


3. Align the slot on the soft close housing with the tab on the top guide. Stick the soft close to the top edge of the door ensuring the slot has located on to the tab.

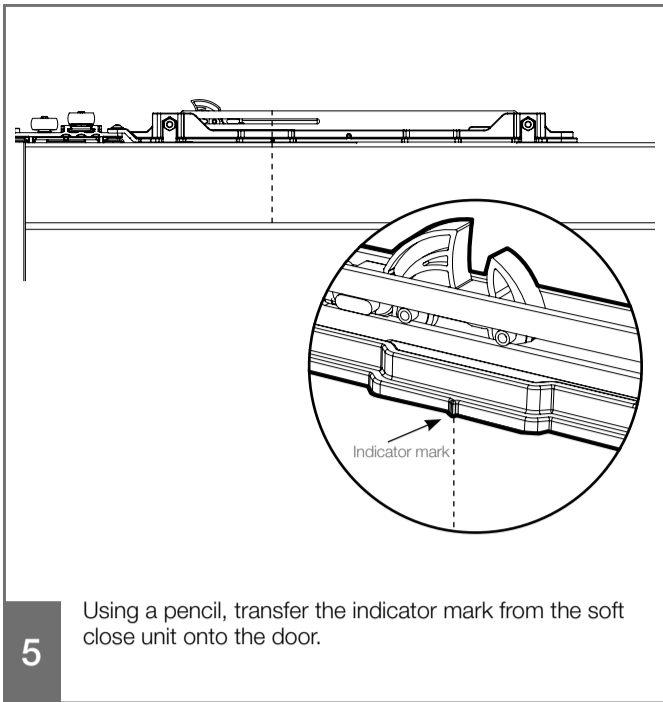


- Keeping the soft close parallel to the door, secure the soft close in place by screwing the 2x 3mm screws (d) into the holes in the top guide tab.

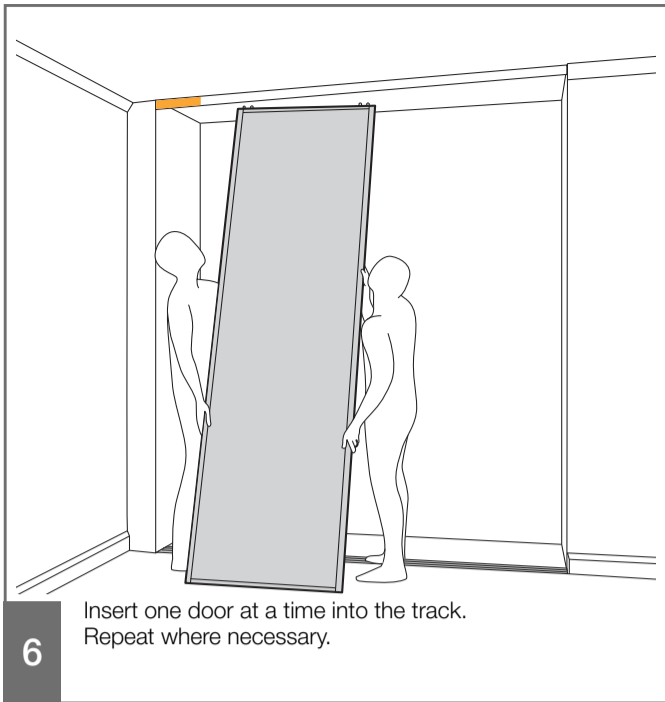
Please see reverse for continuation of instructions.



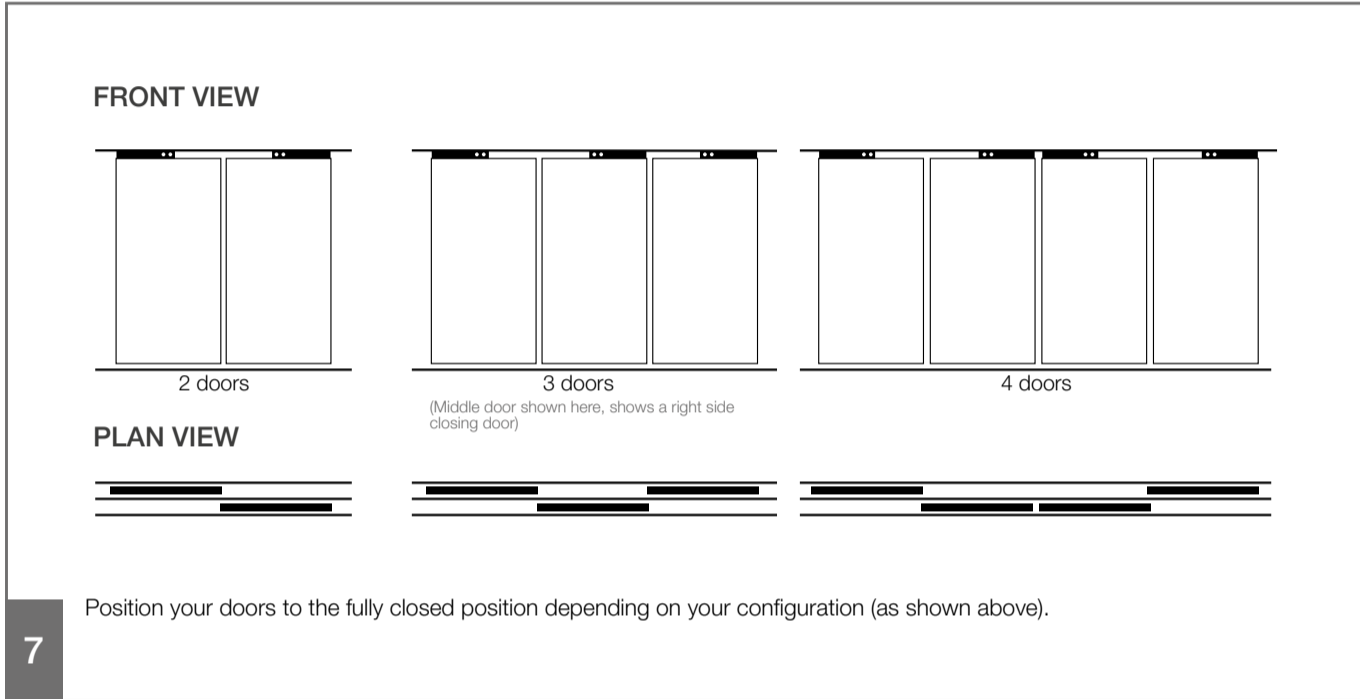
4 Prime the soft close by sliding the nib fully across until you hear a click.



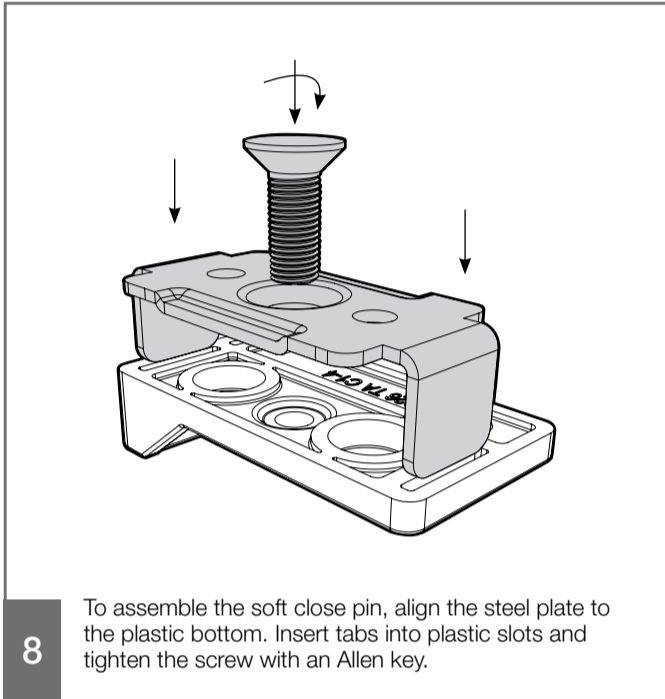
5 Using a pencil, transfer the indicator mark from the soft close unit onto the door.



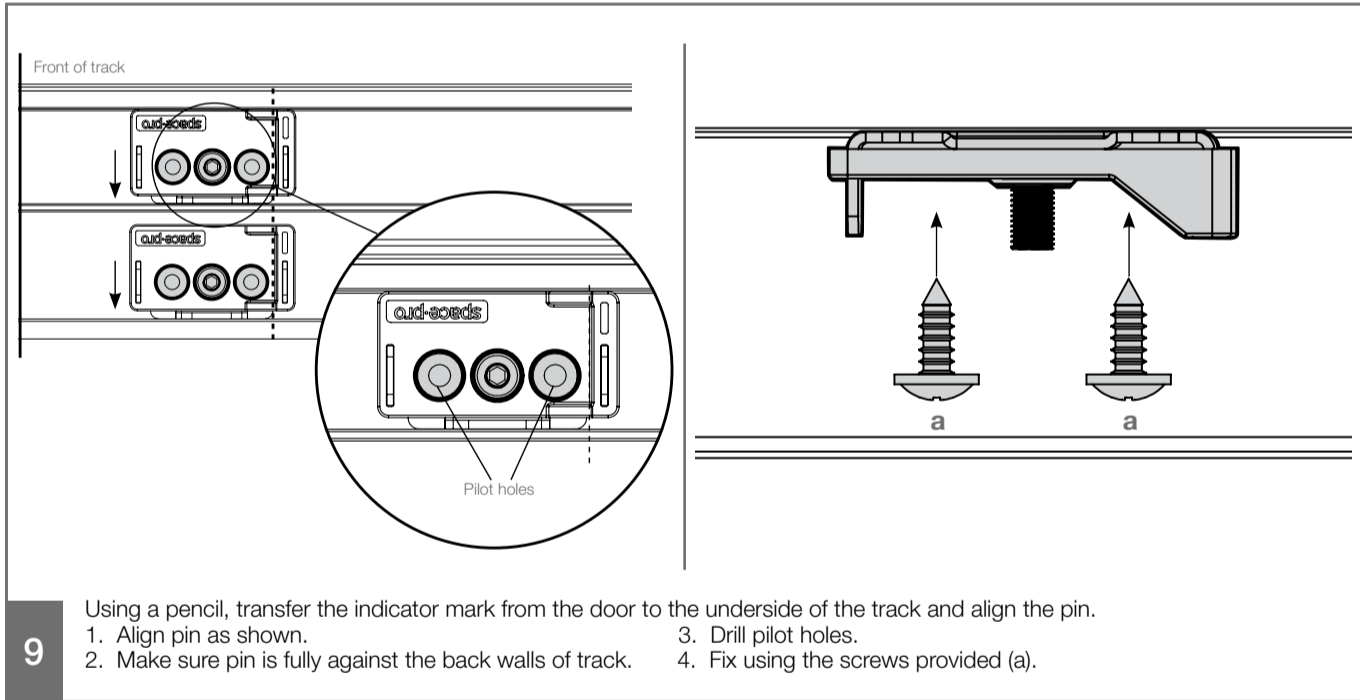
6 Insert one door at a time into the track. Repeat where necessary.



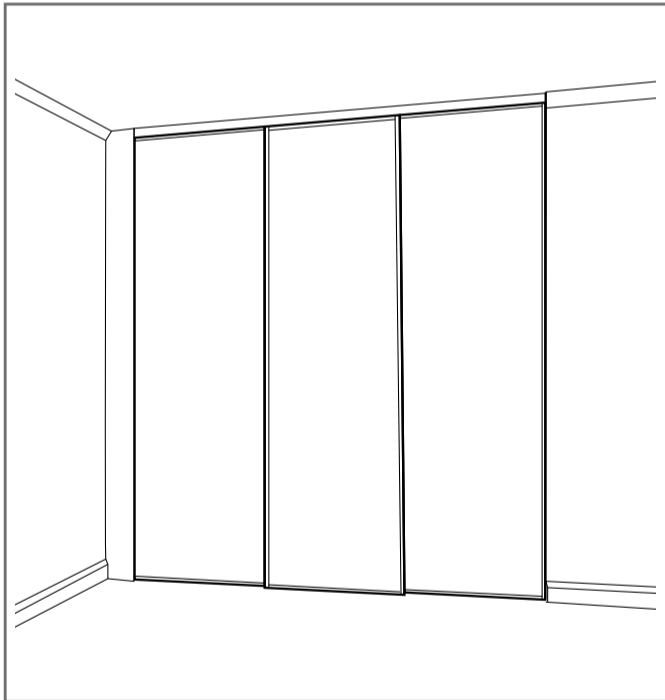
7 Position your doors to the fully closed position depending on your configuration (as shown above).



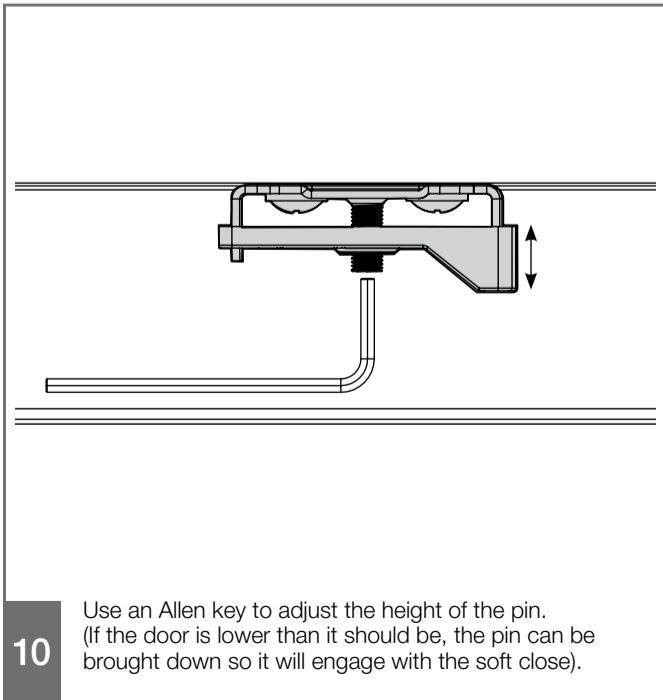
8 To assemble the soft close pin, align the steel plate to the plastic bottom. Insert tabs into plastic slots and tighten the screw with an Allen key.



9 Using a pencil, transfer the indicator mark from the door to the underside of the track and align the pin.
 1. Align pin as shown. 2. Make sure pin is fully against the back walls of track.
 3. Drill pilot holes. 4. Fix using the screws provided (a).



if the soft close doesn't engage first time



10 Use an Allen key to adjust the height of the pin. (If the door is lower than it should be, the pin can be brought down so it will engage with the soft close).