



tower unit 3 & 4 drawers

(400 & 600mm wide)

Assembly Instructions

CONTENTS:

A 1x Top panel

B 1x Side panel (left)

C 1x Side panel (right)

D 5x Shelves
(4x for 4 drawers)

E 1x Plinth panel

F Soft close drawer runners
3 Drawer Unit
• 3x left, 3x right
4 Drawer Unit
• 4x left, 4x right

G Drawer backs
3 Drawer Unit
• x3
4 Drawer Unit
• x4

H Drawer sides (left)
3 Drawer Unit
• 3x left
4 Drawer Unit
• 4x left

I Drawer sides (right)

3 Drawer Unit
• 3x
4 Drawer Unit
• 4x

J Drawer bases

3 Drawer Unit
• x3
4 Drawer Unit
• x4

K Drawer fronts

3 Drawer Unit
• x3
4 Drawer Unit
• x4

L Drawer handles

3 Drawer Unit
• x3
4 Drawer Unit
• x4

Tower unit pack

1



22x
Cams

2



22x
Dowels

3



2x
Wall mounting
brackets

4



6x
Wooden
dowels

Drawer pack

5



12x
Euro Screws
(16x for
4 drawers)

6



6x Handle
Screws (8x for
4 drawers)

7



6x Cams
(8x for
4 drawers)

8

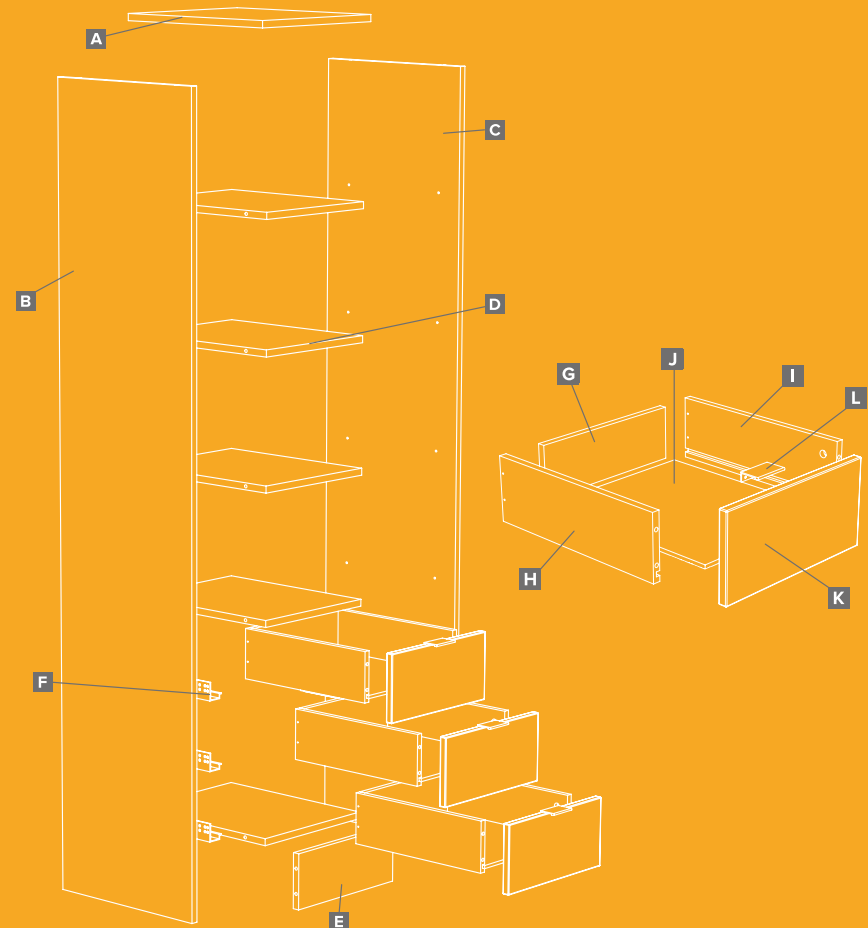


6x Dowels
(8x for 4 drawers)

9



18x Wooden dowels
(24x for 4 drawers)



space.pro
THE LOOK YOU LOVE



We recommend you use the Wall Mounting Brackets provided to fix the Tower Unit to a wall (where possible). This will prevent the unit being pulled over. Use suitable fixings.

Recommended:

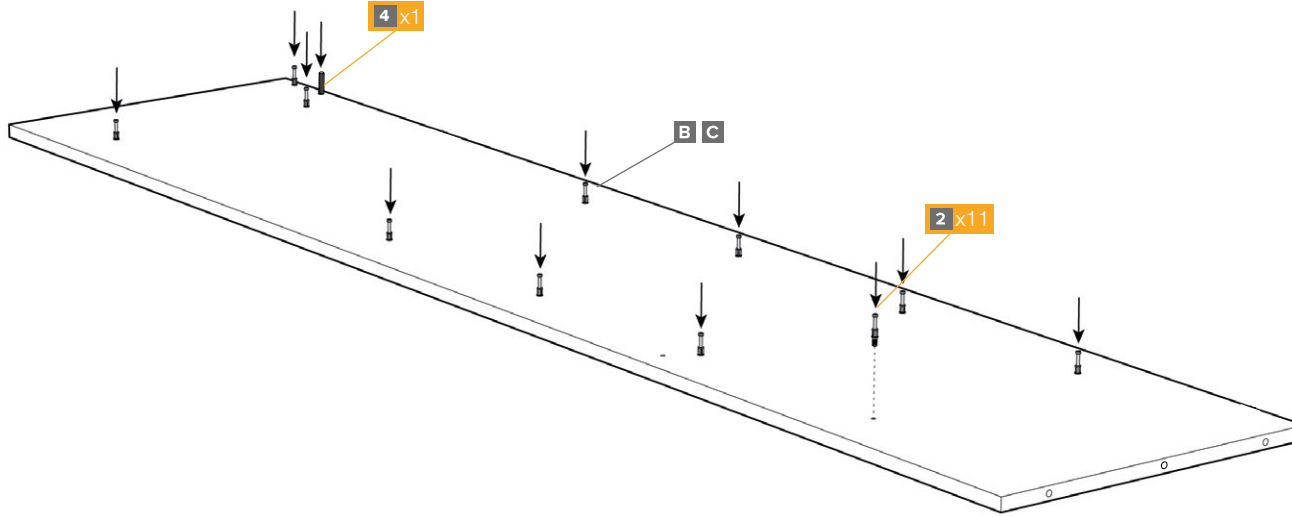
- Tools: Screwdriver & Hammer
- Two person build



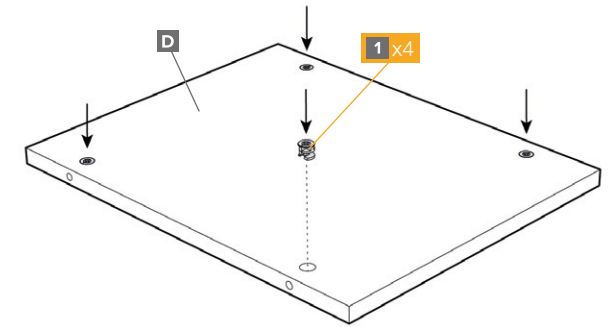
V1.1

PLEASE NOTE THE 3 AND 4 DRAWER TOWER UNIT ARE THE SAME IN CONSTRUCTION. WE HAVE USED THE 3 DRAWER TOWER UNIT AS AN EXAMPLE.

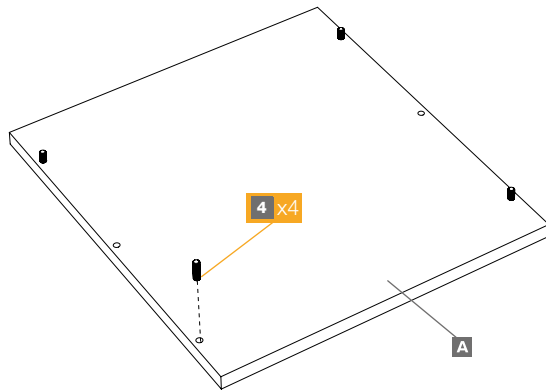
Note: B panel shown



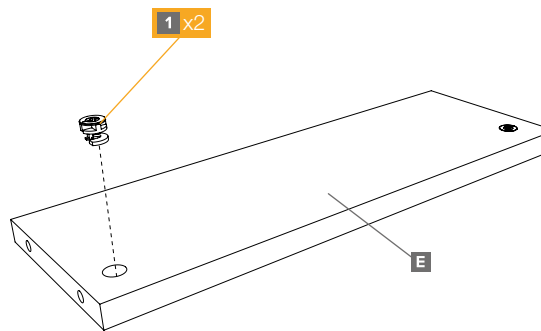
1 Lay panels (B&C) on a flat surface. Fit cams & dowels to both panels.



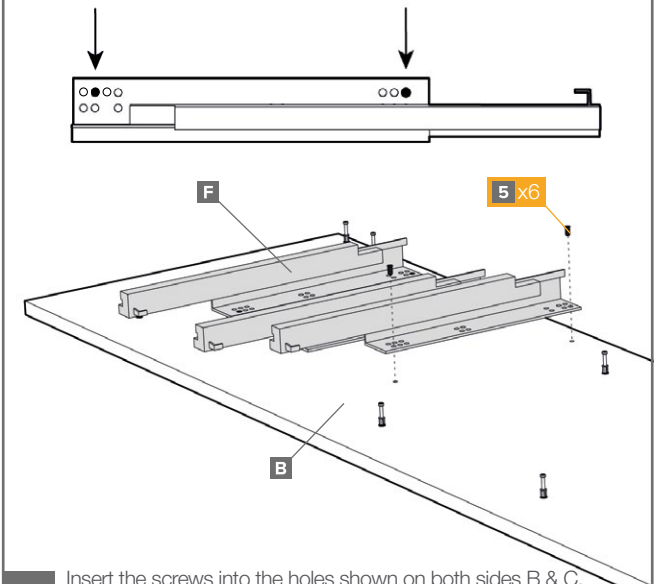
2 Apply to all panels.



3

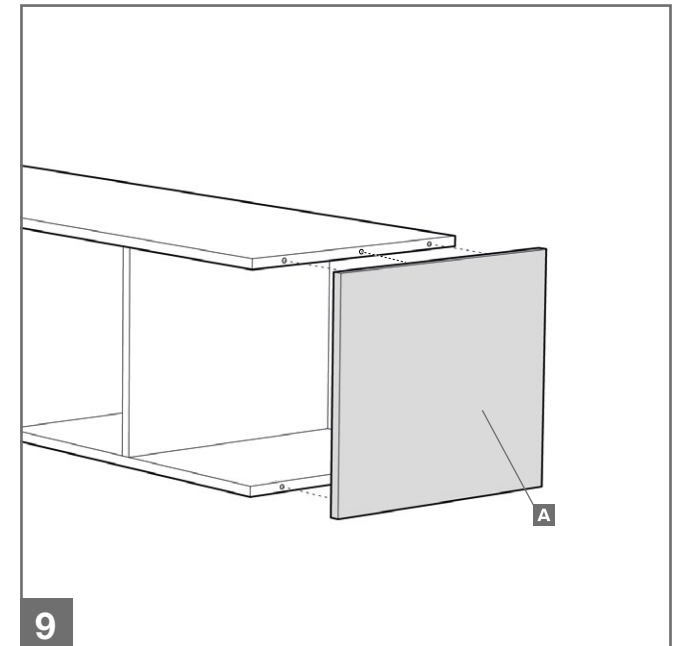
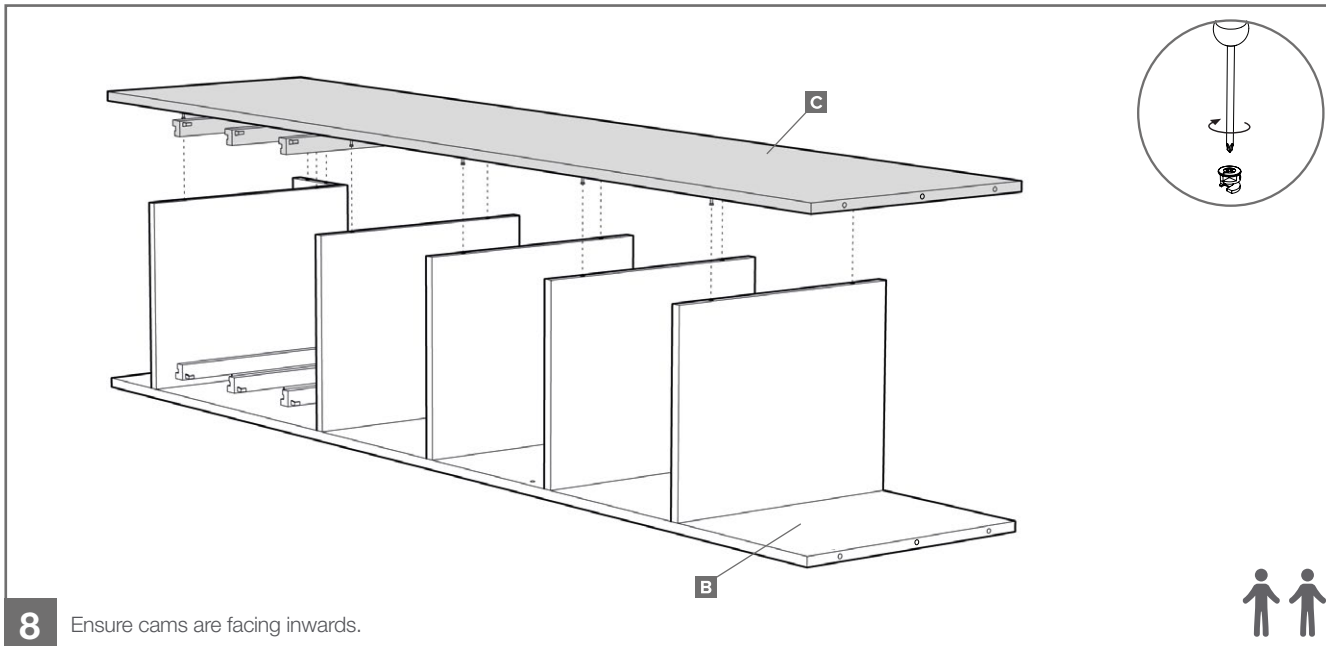
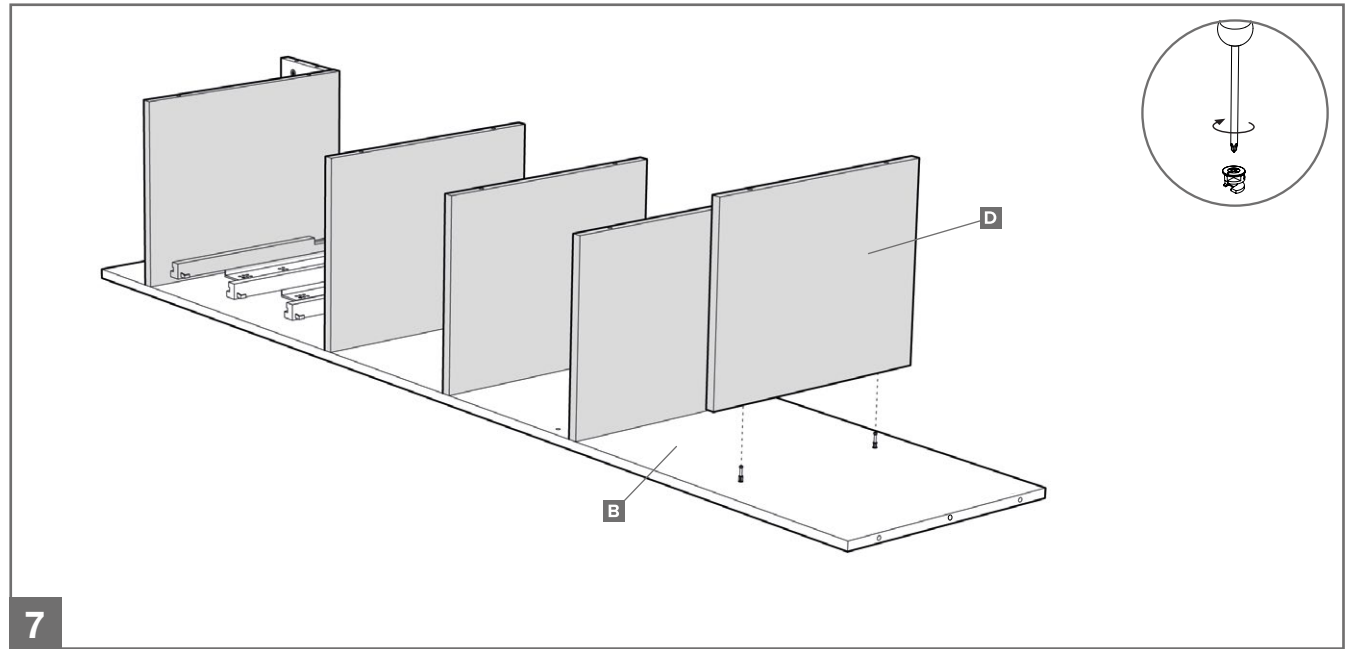
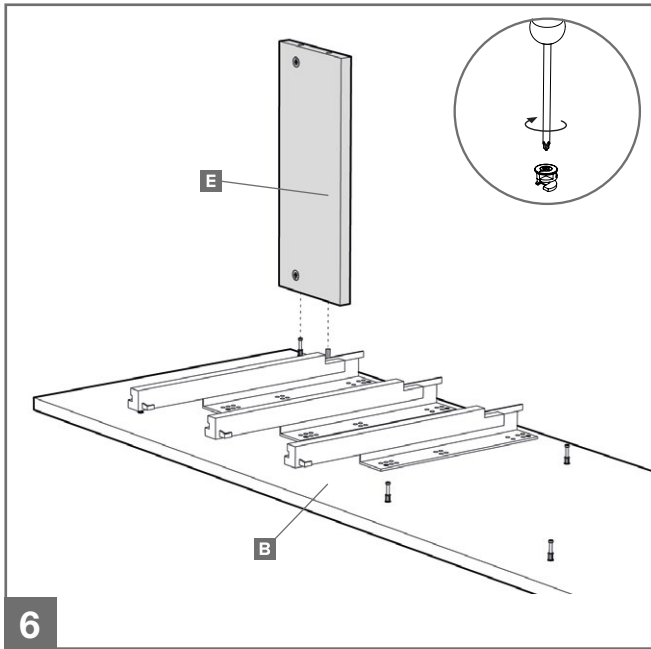


4



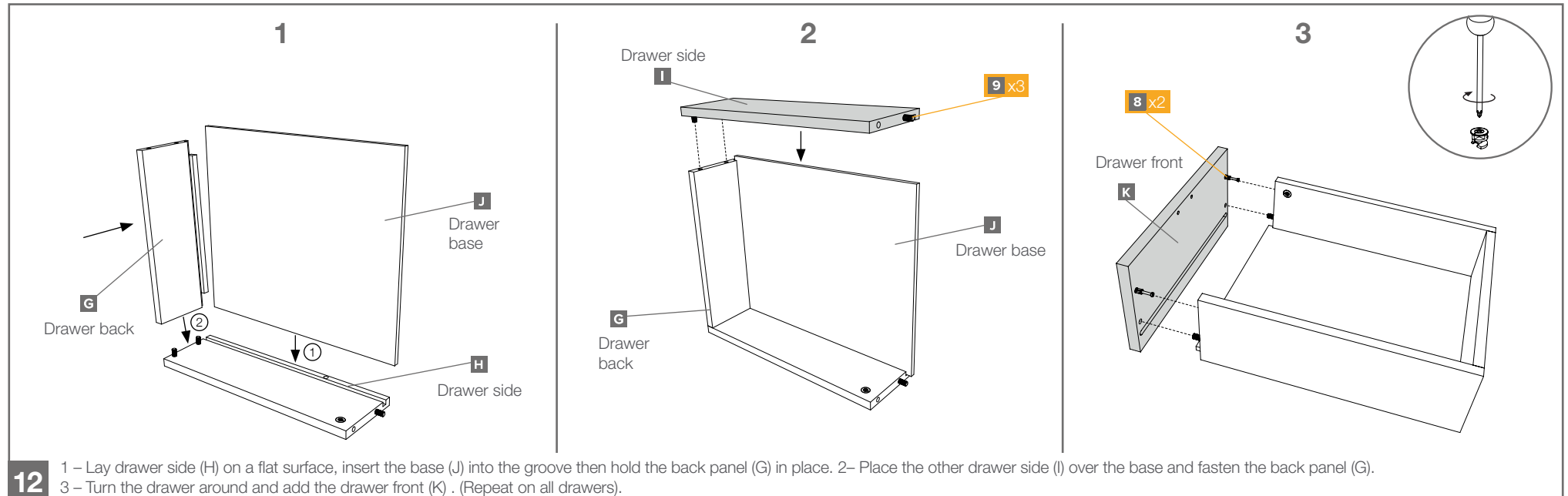
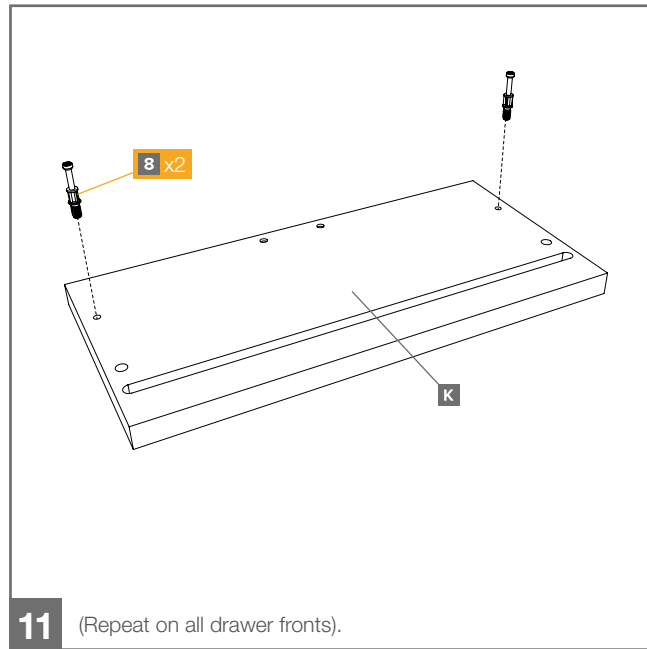
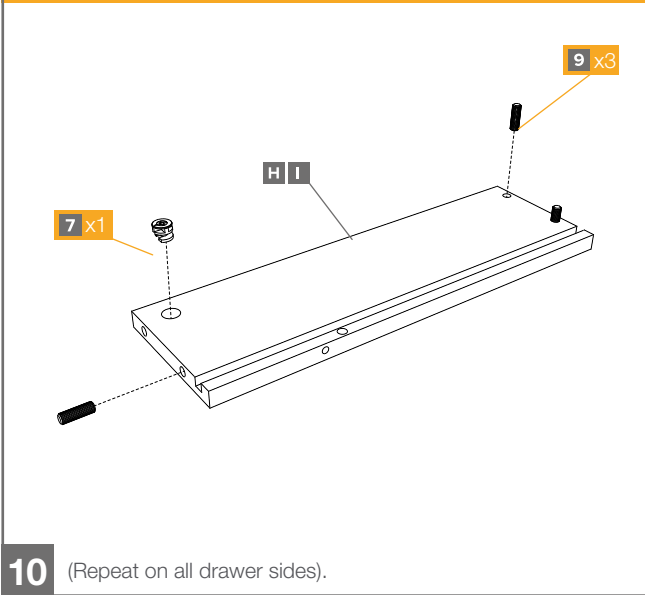
5 Insert the screws into the holes shown on both sides B & C. Note: 6x for 3 drawers, 8x for 4 drawers.

PLEASE NOTE THE 3 AND 4 DRAWER TOWER UNIT ARE THE SAME IN CONSTRUCTION. WE HAVE USED THE 3 DRAWER TOWER UNIT AS AN EXAMPLE.

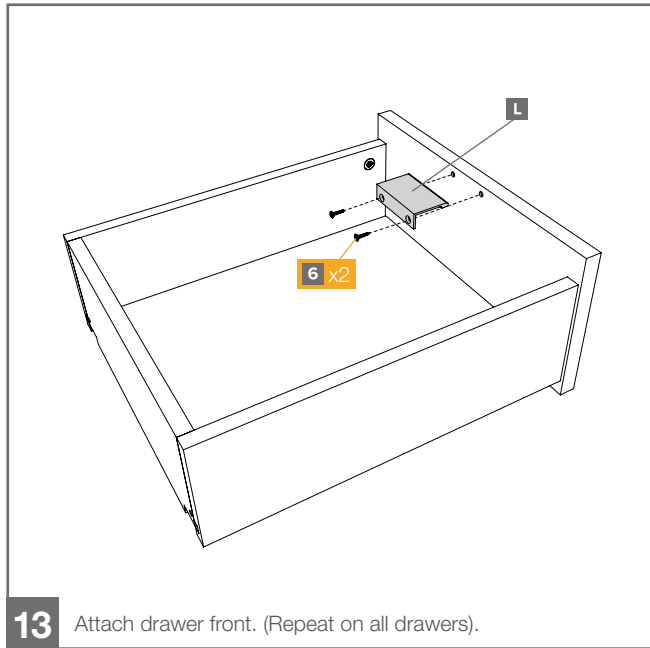


PLEASE NOTE THE 3 AND 4 DRAWER TOWER UNIT ARE THE SAME IN CONSTRUCTION. WE HAVE USED THE 3 DRAWER TOWER UNIT AS AN EXAMPLE.

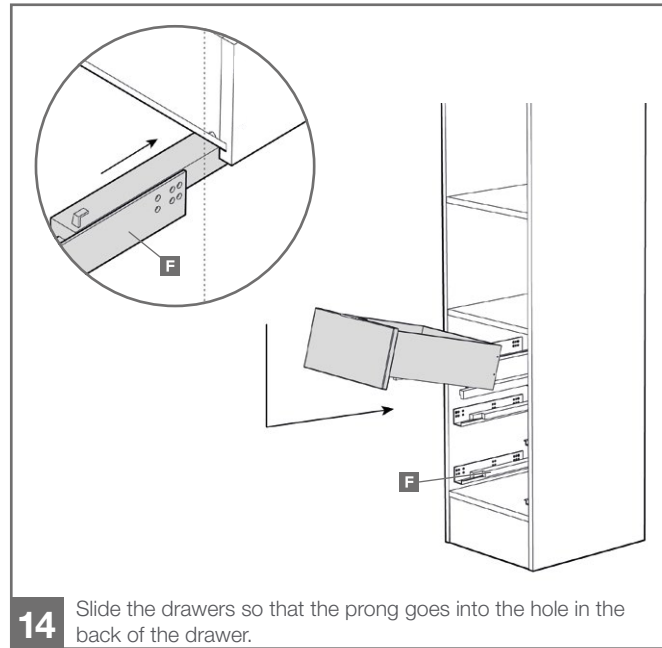
MAKING THE DRAWERS



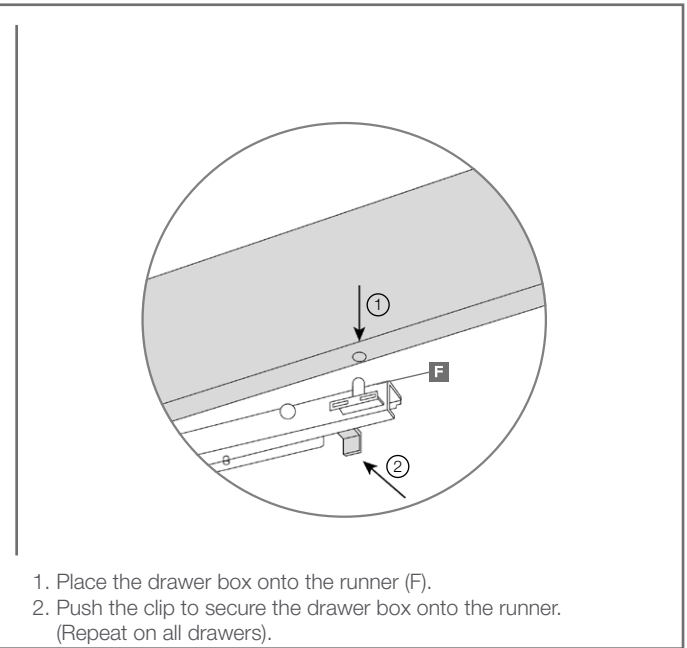
PLEASE NOTE THE 3 AND 4 DRAWER TOWER UNIT ARE THE SAME IN CONSTRUCTION. WE HAVE USED THE 3 DRAWER TOWER UNIT AS AN EXAMPLE.



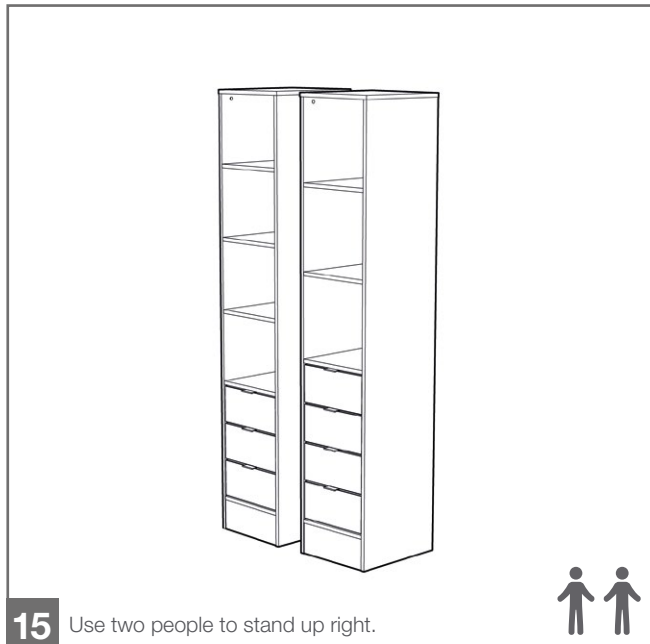
13 Attach drawer front. (Repeat on all drawers).



14 Slide the drawers so that the prong goes into the hole in the back of the drawer.

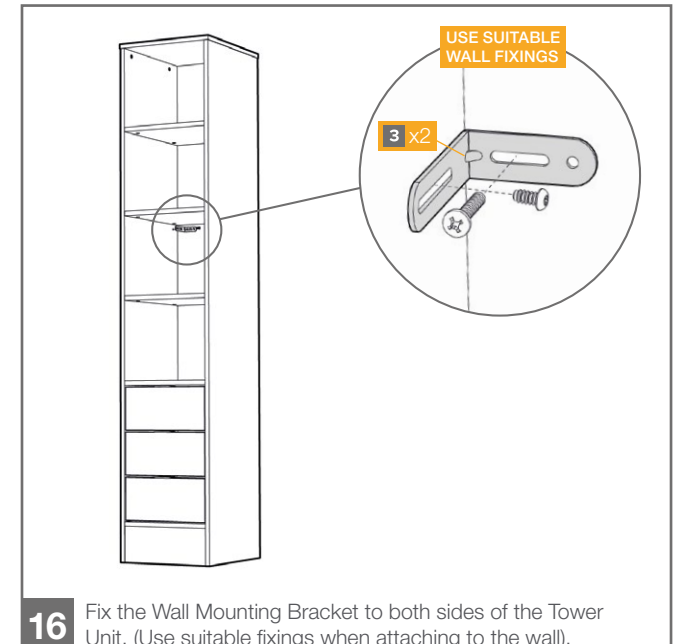


1. Place the drawer box onto the runner (F).
2. Push the clip to secure the drawer box onto the runner. (Repeat on all drawers).



15 Use two people to stand up right.

!
WALL MOUNTING BRACKETS
We recommend you use the Wall Mounting Brackets provided to fix the Tower Unit to a wall (where possible). This will prevent the unit being pulled over. Use suitable fixings.



16 Fix the Wall Mounting Bracket to both sides of the Tower Unit. (Use suitable fixings when attaching to the wall).