



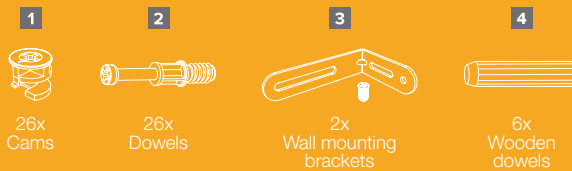
tower unit shelves only

(400 & 600mm wide)

Assembly Instructions

CONTENTS:

- A** 1x Top panel
- B** 1x Side panel (left)
- C** 1x Side panel (right)
- D** 6x Shelves
- E** 1x Plinth panel

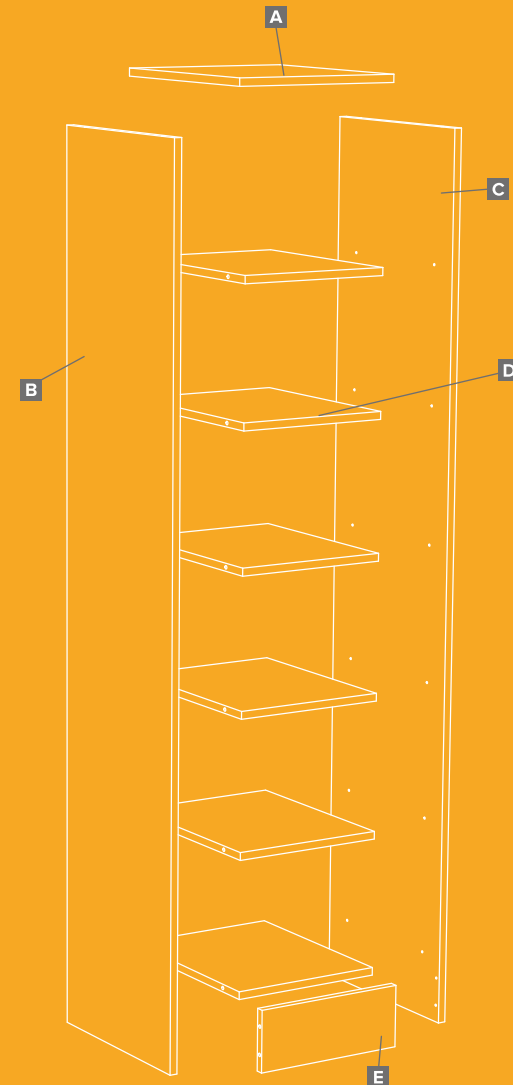


RECOMMENDED:

- **TOOLS:** Screwdriver
- **TWO PERSON BUILD**



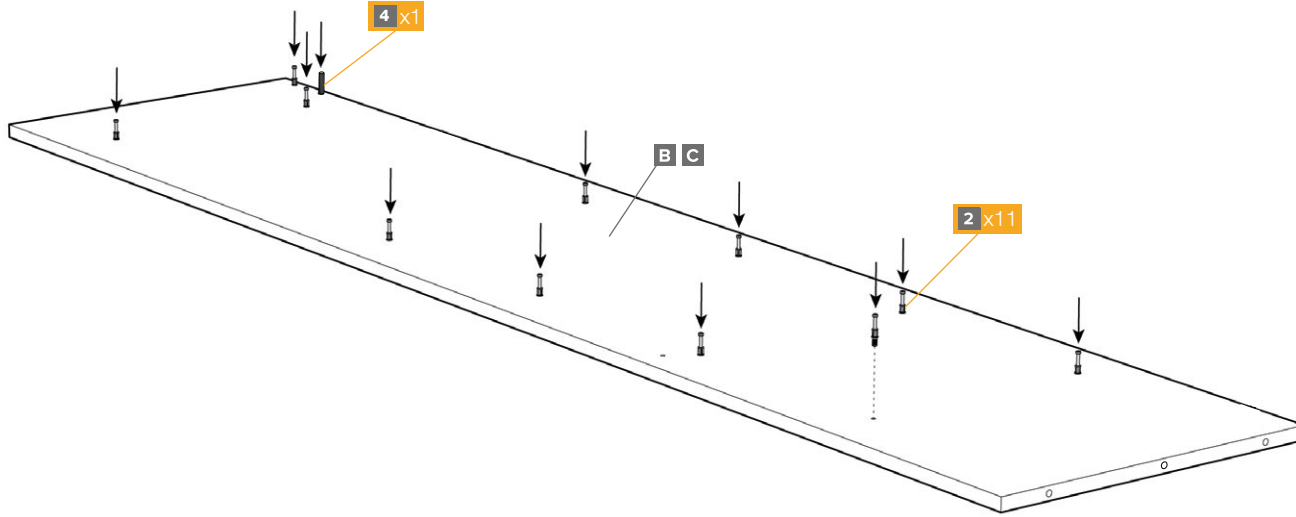
We recommend you use the Wall Mounting Brackets provided to fix the Tower Unit to a wall (where possible). This will prevent the unit being pulled over. Use suitable fixings.



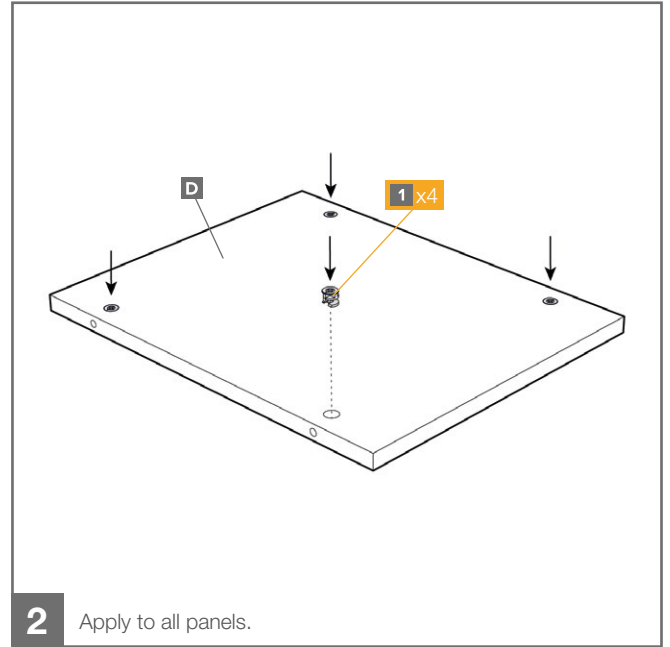
space·pro[®]
THE LOOK YOU LOVE

V1.1

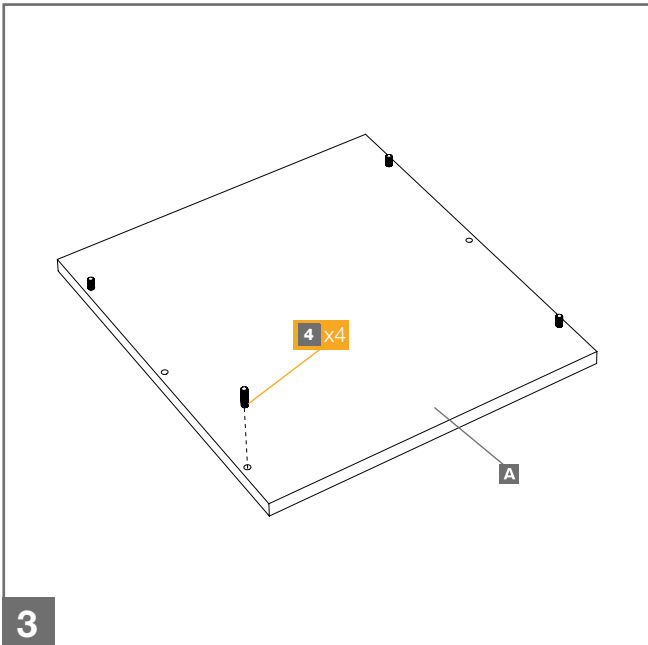
Note: B panel shown



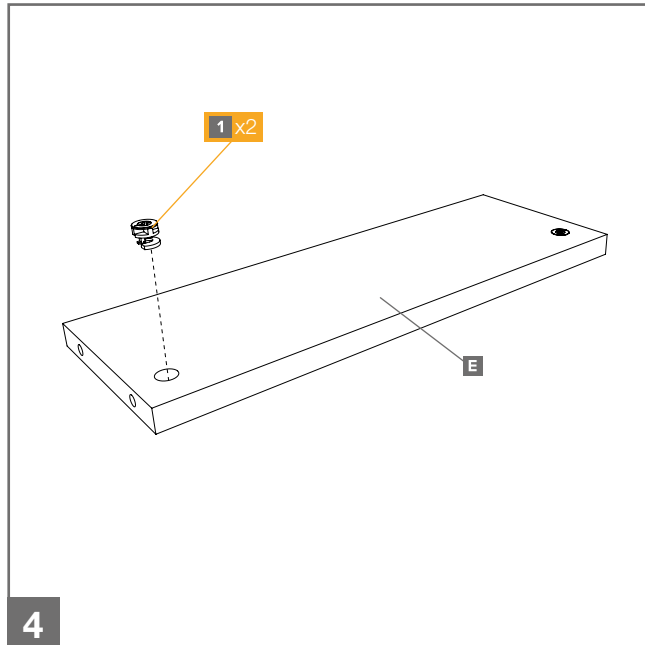
1 Lay panels (B&C) on a flat surface. Fit cams & dowels to both panels.



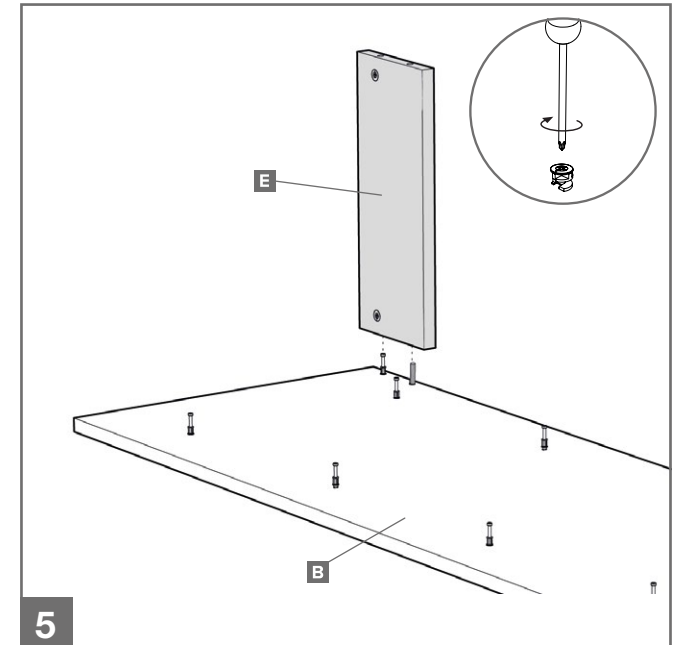
2 Apply to all panels.



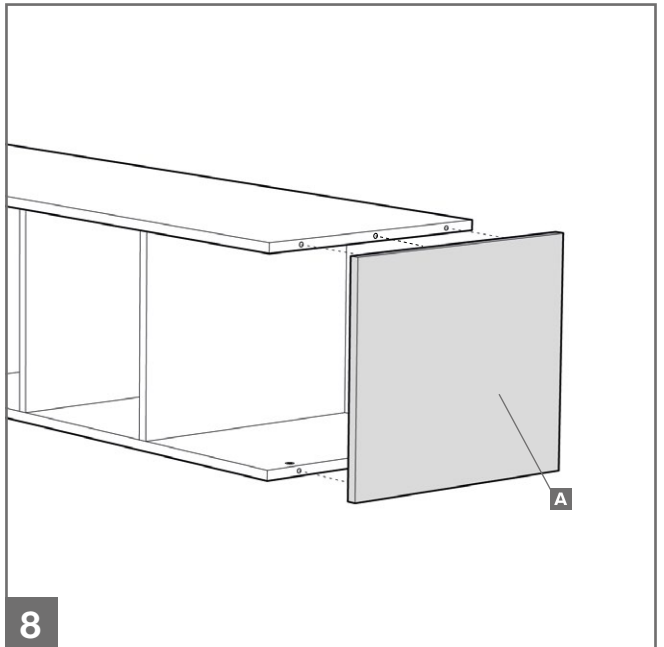
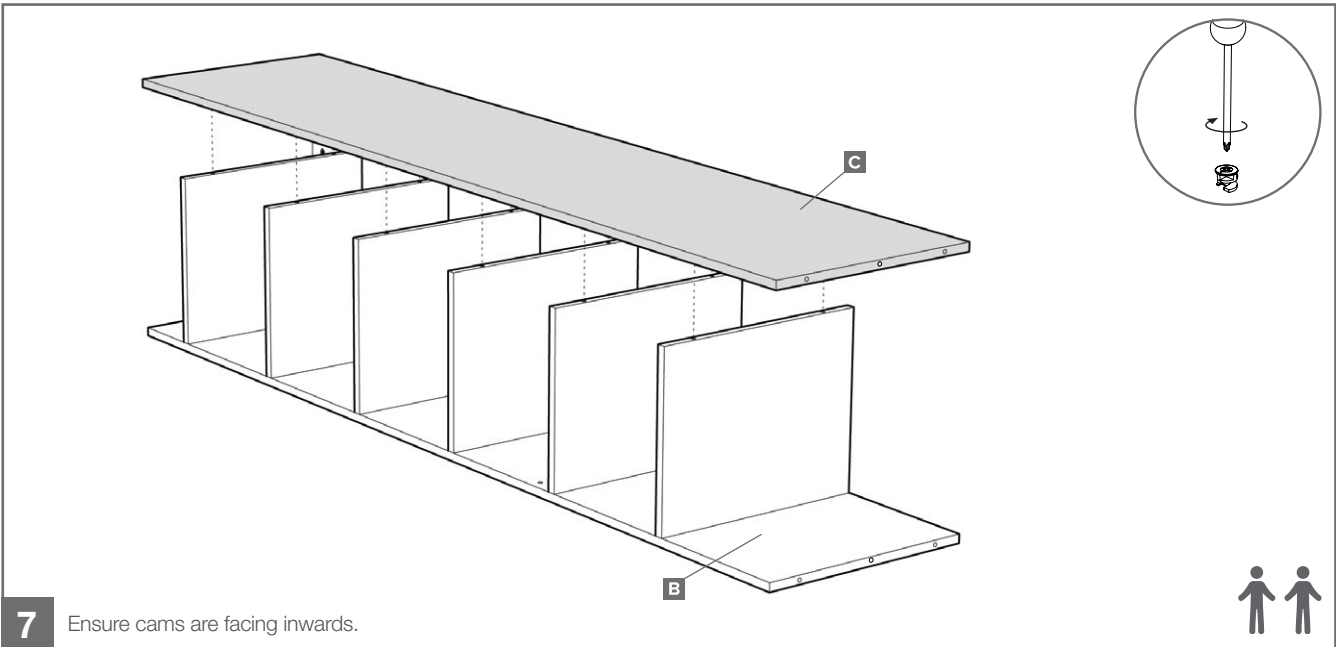
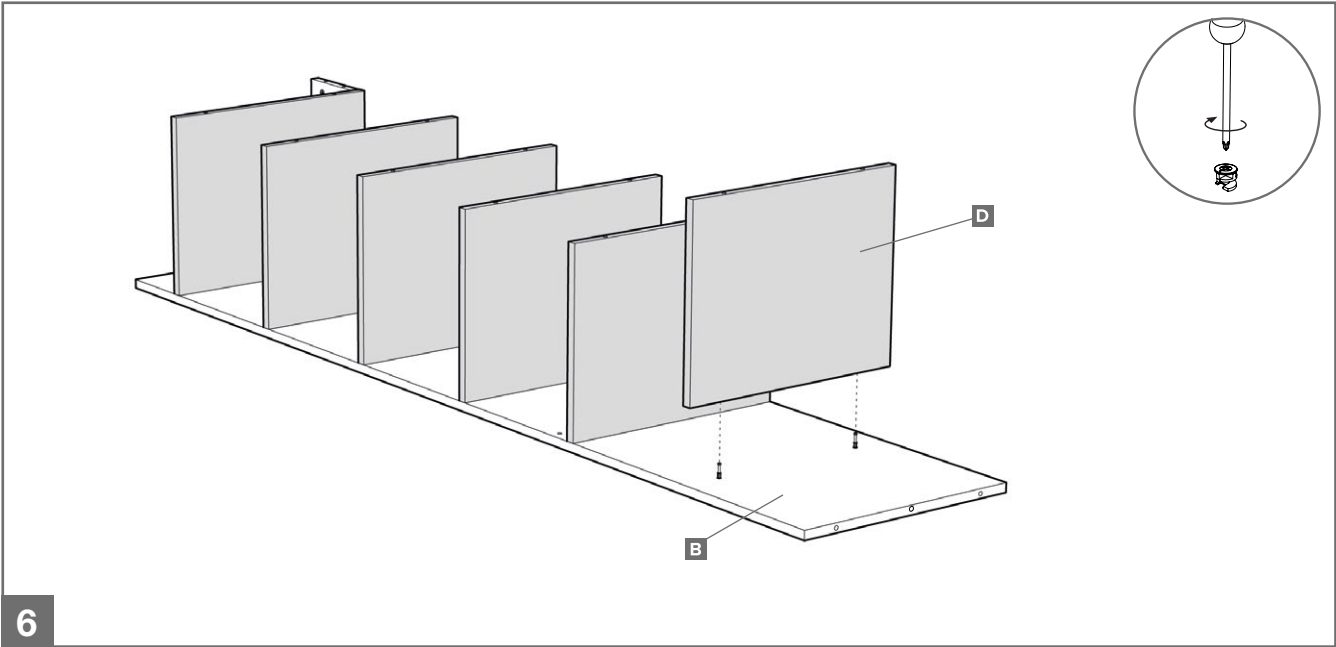
3

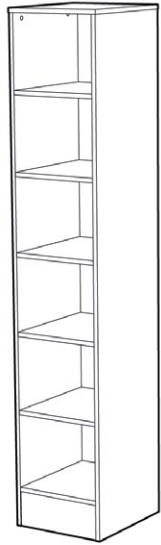


4



5



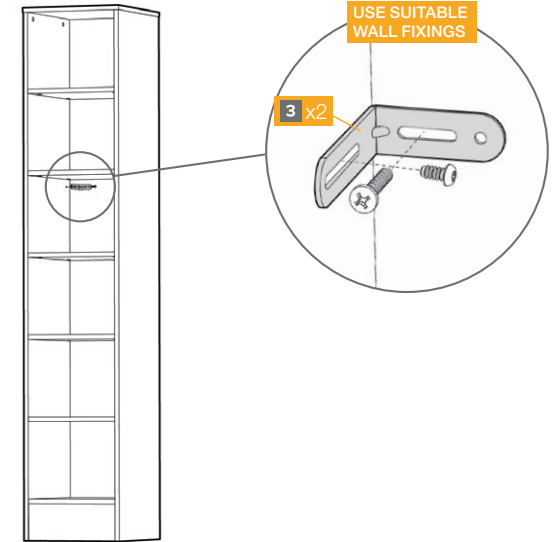


Use two people to stand up straight.



WALL MOUNTING BRACKETS

We recommend you use the Wall Mounting Brackets provided to fix the Tower Unit to a wall (where possible). This will prevent the unit being pulled over. Use suitable fixings.



Fix the Wall Mounting Bracket to both sides of the Tower Unit. (Use suitable fixings when attaching to the wall).